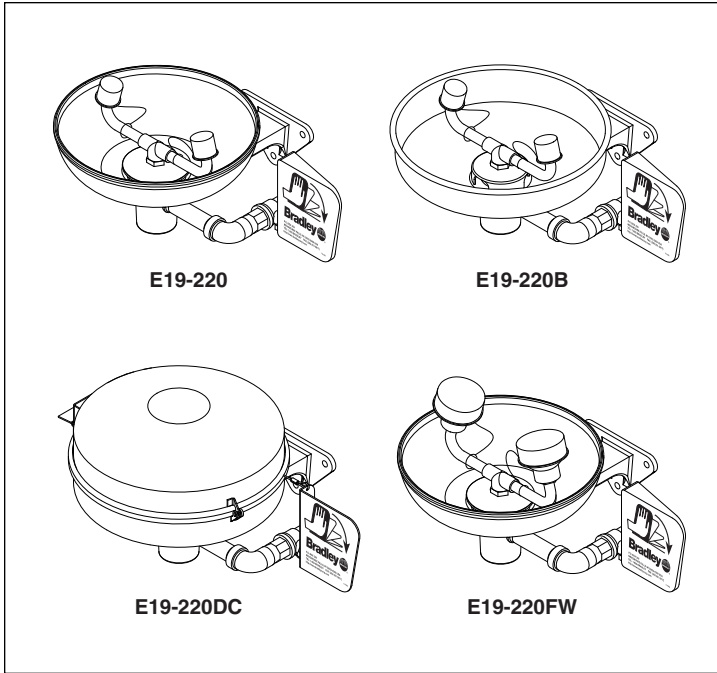


**RUNWAGNDA wall mounted emergency
eye wash Units Installation**



E19-220

**Wall-Mounted Eyewash with
Plastic Bowl**

E19-220B

**Wall-Mounted Eyewash with
Stainless Steel Bowl**

E19-220DC

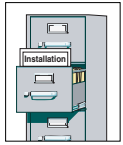
**Wall-Mounted Eyewash with
Dust Cover**

E19-220FW

**Wall-Mounted Eye/Face Wash
with Plastic Bowl**

Table of Contents

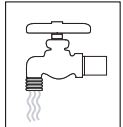
Pre-Installation Information	2
Installation Instructions	3
Dimensions	3-4
E19-220 Components and Parts List	5
E19-220B Components and Parts List	6
E19-220DC Components and Parts List	7
E19-220FW Components and Parts List	8

 **WARNING** 

Read this installation manual completely to ensure proper installation, then file it with the owner or maintenance department. Compliance and conformity to drain requirements and other local codes and ordinances is the responsibility of the installer.



Separate parts from packaging and make sure all parts are accounted for before discarding any packaging material. If any parts are missing, do not begin installation until you obtain the missing parts.



Flush the water supply lines before beginning installation and after installation is complete. Test the unit for leaks and adequate water flow. Main water supply to the eyewash should be "ON" at all times. Provisions shall be made to prevent unauthorized shutoff.



The ANSI Z358.1 standard requires an uninterrupted supply of flushing fluid at a minimum 30 PSI (0.21 MPa) flowing pressure. Flushing fluid should be tepid per ANSI Z358.1.



The inspection and testing results of this equipment should be recorded weekly to verify proper operation. This equipment should be inspected annually to ensure compliance with ANSI Z358.1.



Workers who may come in contact with potentially hazardous materials should be trained regarding the placement and proper operation of emergency equipment per ANSI Z358.1.



For questions regarding the operation or installation of this product, visit www.bradleycorp.com or call 1-800-BRADLEY.

Product warranties may also be found under "Product Information" on our web site at www.bradleycorp.com.

Installation

Supplies Required:

- (3) 8m wall fasteners and bolts
- Pipe sealant
- Piping to 1/2" BSP water supply inlet on unit
- Piping to 1-1/4 - 11 BSP drain outlet for eyewash
- Sign-mounting hardware

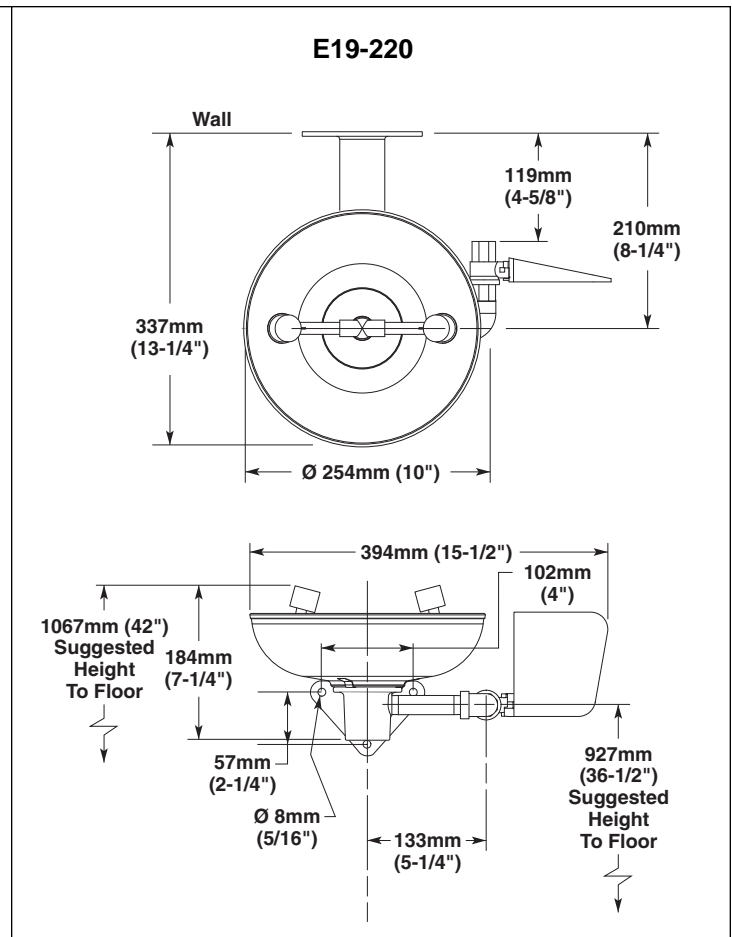
Step 1: Install inlet drain fittings

NOTE: The top of the eyewash heads should be 1067mm (42") from the floor.

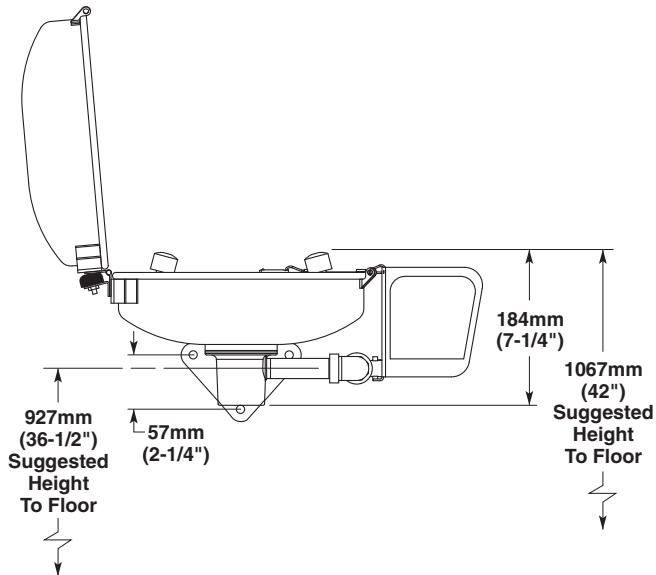
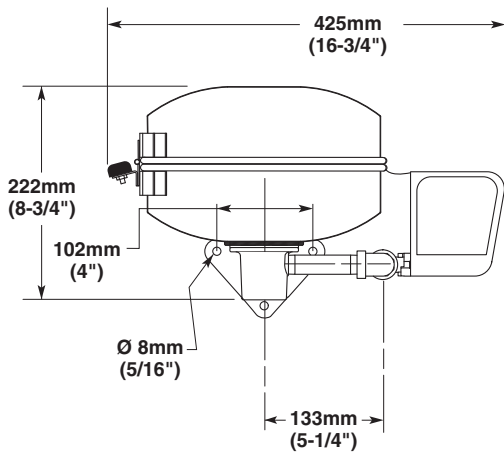
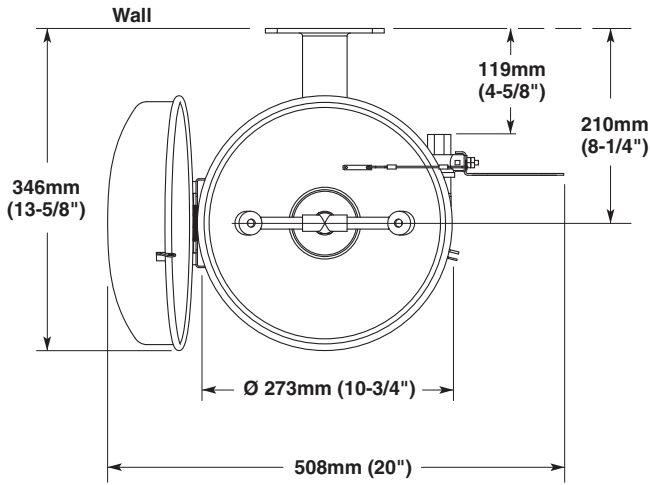
1. Position the inlet drain fitting over the 1-1/4" drain outlet pipe from wall.
2. Using the inlet drain fitting as template, mark bolt hole locations on the wall OR install three suitable fasteners (supplied by installer) for 8m bolts in the wall at marked hole locations (see illustrations on pages 3–4).
3. Bolt the inlet drain fitting to the wall or wall fasteners using 8m bolts (supplied by installer).
4. After the inlet drain is secured, assemble the flag handle, washer and nut.

Step 2: Connect water supply

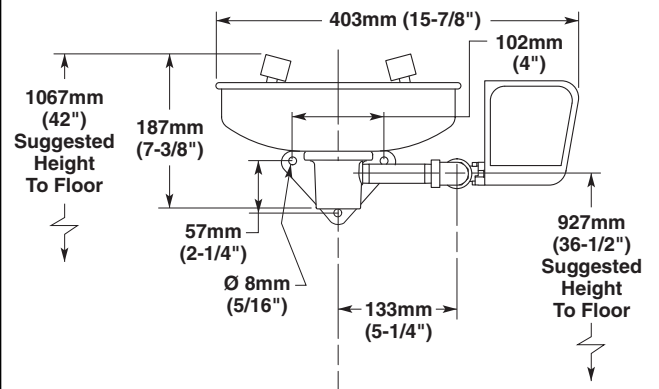
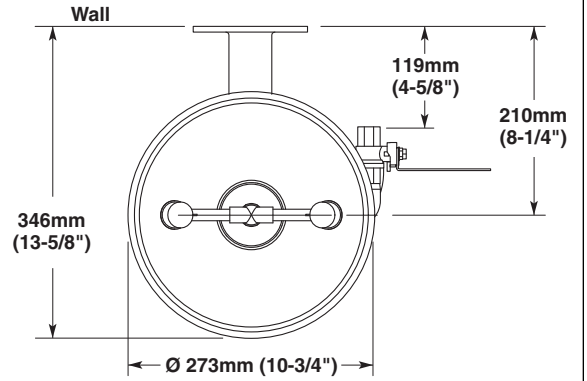
1. Connect the water supply piping (supplied by installer) to the 1/2" BSP inlet on the eyewash.
2. Connect the drain piping (supplied by installer) to the 1-1/4 - 11 BSP drain outlet on the eyewash.
3. Mount the safety sign to the wall or pipe using sign-mounting hardware (supplied by installer).
4. Open the water supply lines. Test for leaks and adequate water flow.



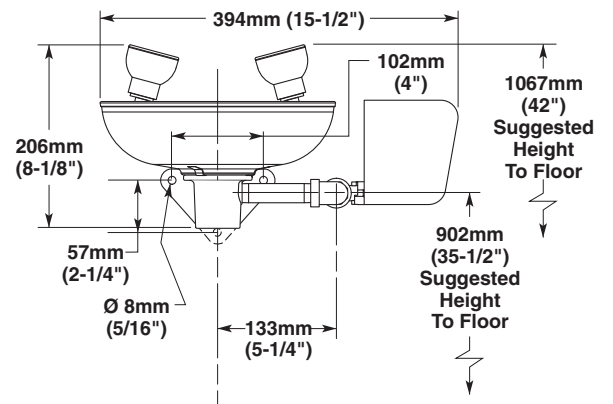
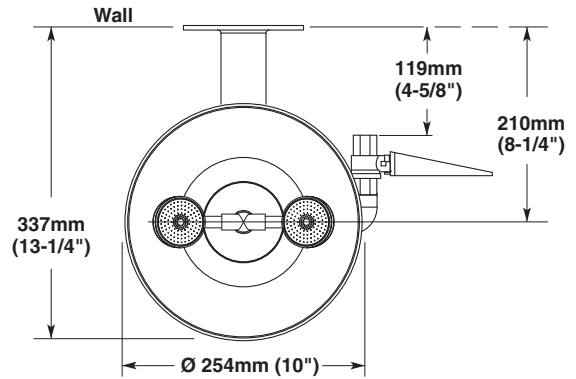
E19-220DC



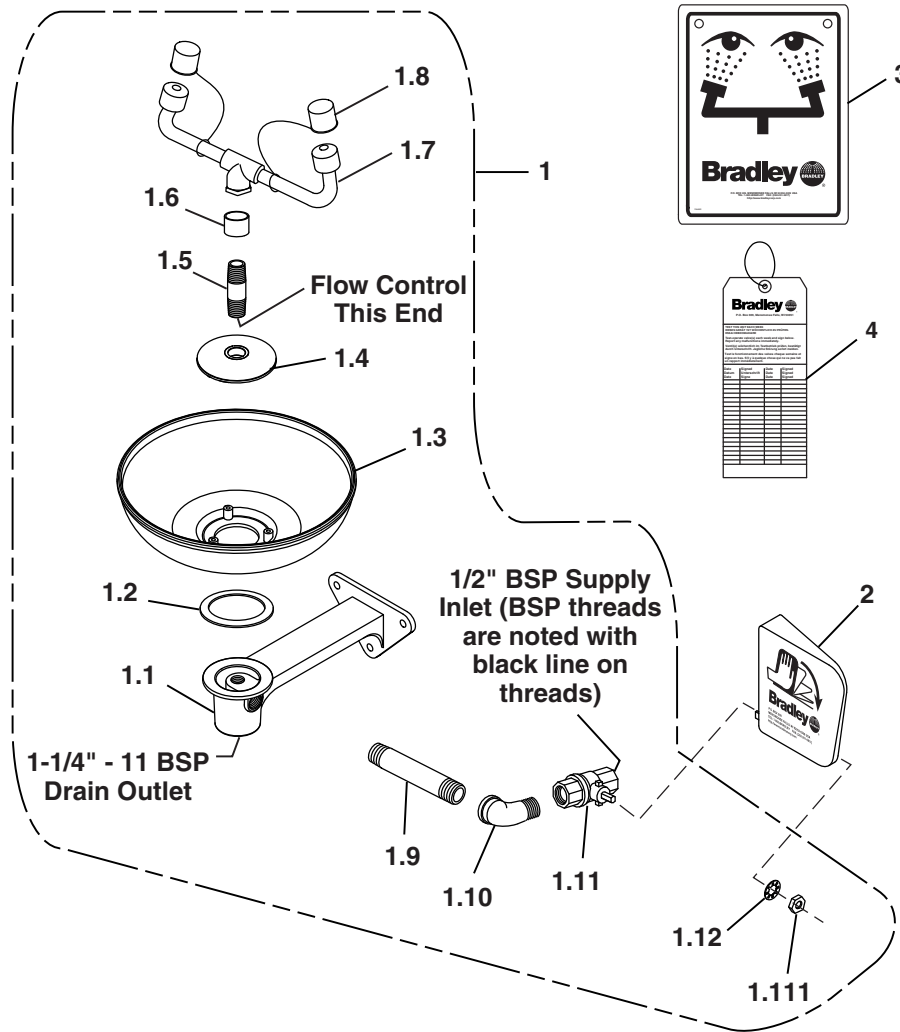
E19-220B



E19-220FW



Assembly of Components - E19-220 (with Plastic Bowl)



NOTE: Items 1.1-1.12 come preassembled as Item 1.

Item	Part No.	Qty	Description	Item	Part No.	Qty	Description
1	S39-243	1	Europe Eyewash Assembly	1.9	113-006LQ	1	Pipe 1/2" NPT x 89mm
1.1	111-061BSP	1	Inlet Drain Fitting	1.10	169-025	1	Elbow
1.2	124-028	1	Gasket	1.11	S27-282B	1	1/2" Ball Valve with nut
1.3	154-058	1	Plastic Eyewash Bowl	1.111	110-215	1	Nut only
1.4	173-025	1	Cup Strainer	1.12	142-002DA	1	Lockwasher
1.5	S21-071	1	Supply Stem	2	128-135	1	Plastic Handle
1.6	113-1185	1	Spacer, Drain	3	114-051E	1	Safety Sign
1.7	S05-091	1	Eyewash Yoke Assembly	4	204-421	1	Emergency Tag
1.8	107-371	2	Dust Cover				

Prepack S45-1785 includes Items 1.2, 1.4, 1.5, 1.6
 Prepack S45-123 includes Items 2, 1.12, 1.111

Assembly of Components - E19-220B (with Stainless Steel Bowl)

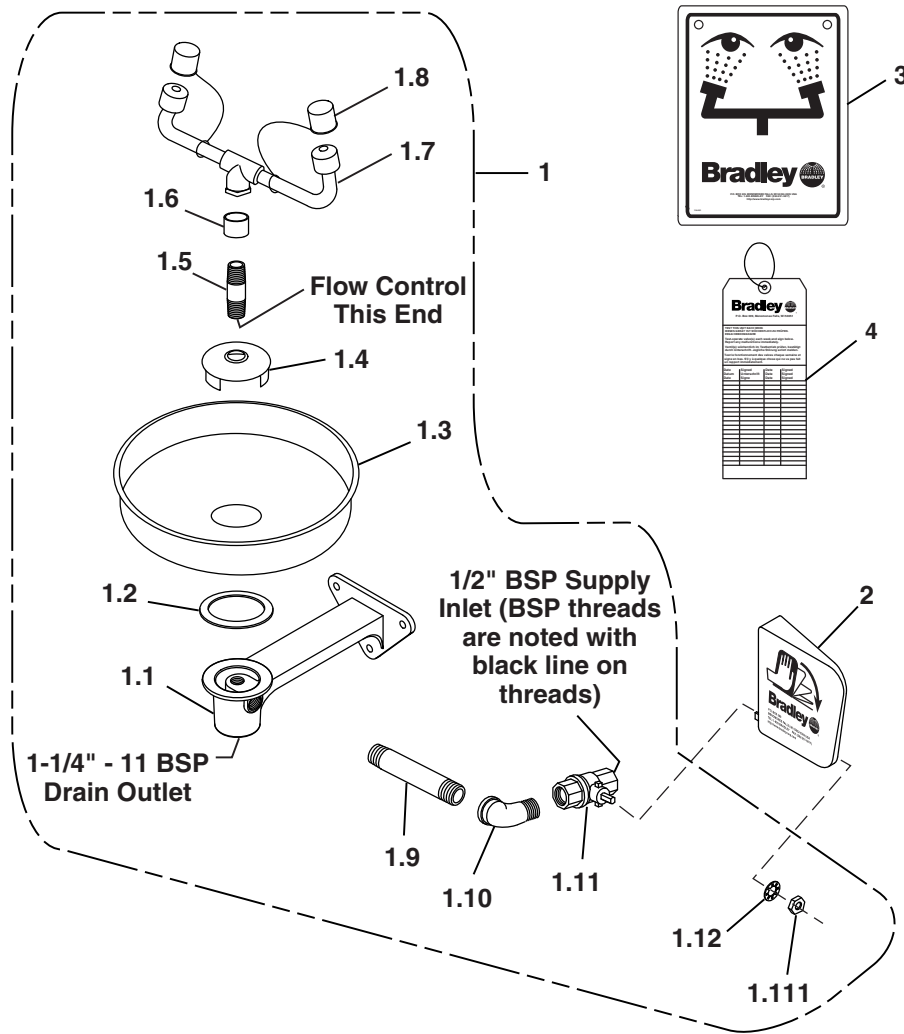


Figure 2b

NOTE: Items 1.1-1.12 come preassembled as Item 1.

Item	Part No.	Qty	Description	Item	Part No.	Qty	Description
1	S39-246	1	Europe Eyewash Assembly	1.9	113-006LQ	1	Pipe 1/2" NPT x 89mm
1.1	111-061BSP	1	Inlet Drain Fitting	1.10	169-025	1	Elbow
1.2	124-028	1	Gasket	1.11	S27-282B	1	1/2" Ball Valve with nut
1.3	187-053	1	Stainless Steel Eyewash Bowl	1.111	110-215	1	Nut only
1.4	173-009	1	Cup Strainer	1.12	142-002DA	1	Lockwasher
1.5	S21-071	1	Supply Stem	2	128-135	1	Plastic Handle
1.6	113-1159	1	Spacer, Drain	3	114-051E	1	Safety Sign
1.7	S05-091	1	Eyewash Yoke Assembly	4	204-421	1	Emergency Tag
1.8	107-371	2	Dust Cover				

Prepack S45-1782 includes Items 1.2, 1.4, 1.5, 1.6
 Prepack S45-123 includes Items 2, 1.12, 1.111

Assembly of Components - E19-220DC (with Dust Cover)

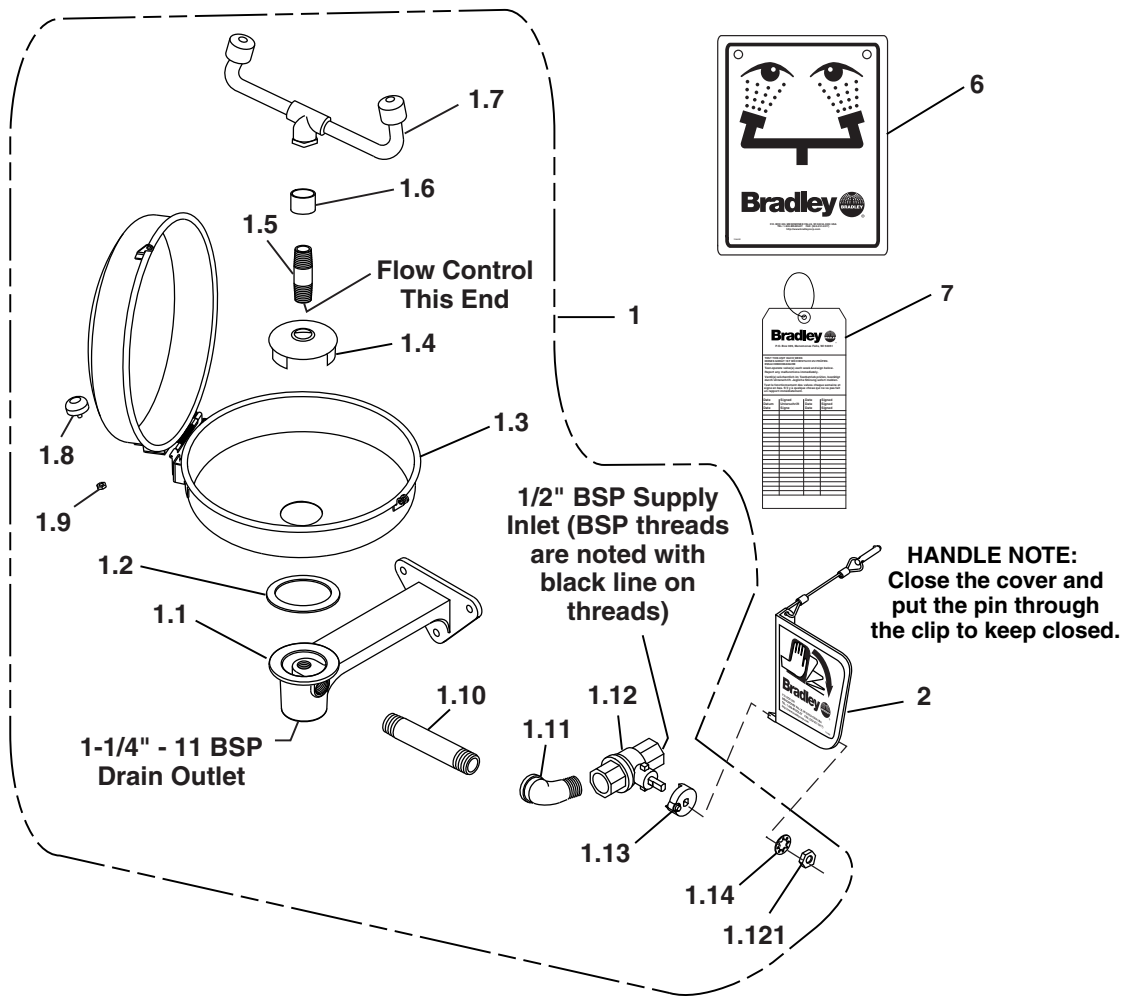


Figure 2c

NOTE: Items 1.1-1.14 come preassembled as Item 1.

Item	Part No.	Qty	Description	Item	Part No.	Qty	Description
1	S39-312	1	Europe Dust Cover/Eyewash Assy	1.10	113-006LQ	1	Pipe 1/2" NPT x 89mm
1.1	111-061BSP	1	Inlet-Drain Fitting	1.11	169-025	1	Elbow
1.2	124-028	1	Gasket	1.12	S27-282B	1	1/2" Ball Valve with nut
1.3	S90-009	1	Dust Cover Assembly	1.121	110-215	1	Nut only
1.4	173-009	1	Cup Strainer	1.13	153-372R	1	Ball Valve Adapter
1.5	S21-071	1	Supply Stem	1.14	142-002DA	1	Lockwasher
1.6	113-1159	1	Spacer, Drain	2	S08-056	1	Handle Assembly
1.7	S05-091	1	Eyewash Yoke Assembly	3	114-051E	1	Safety Sign
1.8	269-447	1	Bumper	4	204-421	1	Emergency Tag
1.9	161-025	1	Hex Nut				

Prepack S45-1782 includes Items 1.2, 1.4, 1.5, 1.6
 Ball Valve Kit S30-072 includes Items 1.12, 1.13, 1.14, 1.121, 2
 Prepack S30-087 includes Items 1.13, 1.14, 1.121, 2

Assembly of Components - E19-220FW (with Eye/Face Wash)

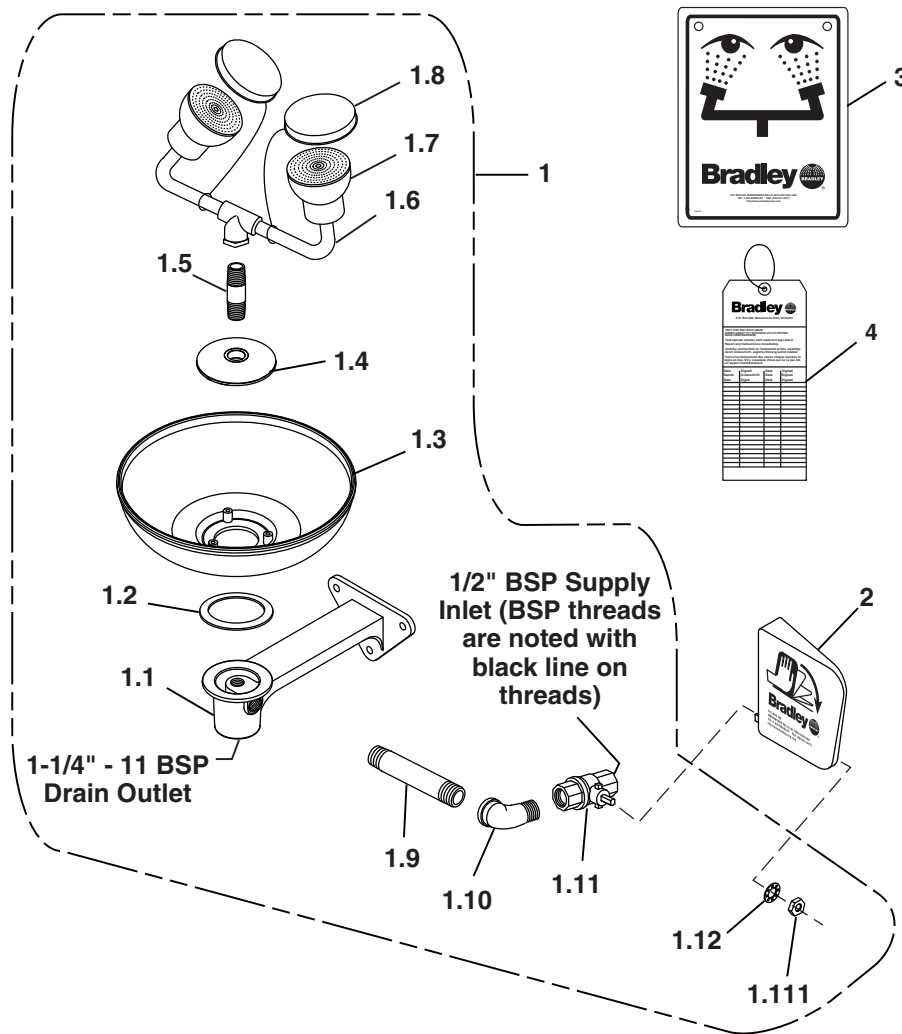


Figure 2d

NOTE: Items 1.1-1.12 come preassembled as Item 1.

Item	Part No.	Qty	Description	Item	Part No.	Qty	Description
1	S39-421	1	Europe Eye/Face Wash Assembly	1.9	113-006LQ	1	Pipe 1/2" NPT x 89mm
1.1	111-061BSP	1	Inlet Drain Fitting	1.10	169-025	1	Elbow
1.2	124-028	1	Gasket	1.11	S27-282B	1	1/2" Ball Valve with nut
1.3	154-058	1	Plastic Eyewash Bowl	1.111	110-215	1	Nut only
1.4	173-025	1	Cup Strainer	1.12	142-002DA	1	Lockwasher
1.5	113-1150	1	Supply Stem	2	128-135	1	Plastic Handle
1.6	S05-091P	1	Eyewash Yoke Assembly	3	114-051E	1	Safety Sign
1.7	S05-135	2	EFW Sparyhead Assembly	4	204-421	1	Emergency Tag
1.8	S53-063	2	Dust Cover				

Prepack S45-123 includes Items 2, 1.12, 1.111